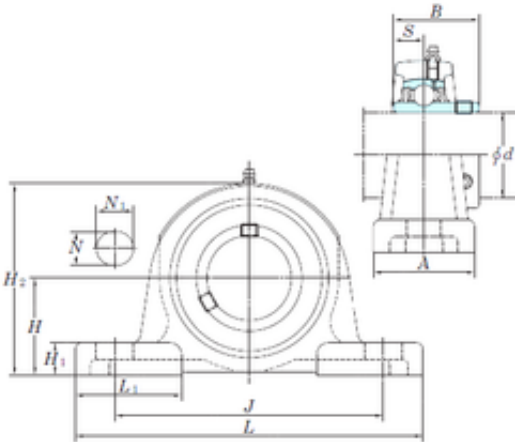




China 6206 Bearing Supplier

SKF NSK Timken Koyo Pillow Block Bearing UCP314 with ISO9001

Bearing No. UCP314



UCP314 Bearing 2D drawings and 3D CAD models

| | |
|-------------------------------|---------|
| Bore Diameter | 70 mm |
| Width | 78 mm |
| d | 70 mm |
| A | 90 mm |
| B | 78 mm |
| H | 95 mm |
| H1 | 35 mm |
| H2 | 186 mm |
| J | 280 mm |
| L | 360 mm |
| L1 | 110 mm |
| N | 27 mm |
| N1 | 40 mm |
| S | 33 mm |
| Bolt (G) | M22 |
| Weight | 12,4 Kg |
| Basic dynamic load rating (C) | 104 kN |
| Basic static load rating (C0) | 68,2 kN |
| Bearing No. | UCP314 |
| Bolt size | M22 |
| Cr | 104 |
| C0r | 68.2 |
| f0 | 13.2 |
| (Refer.) Unit mass(kg) | 12.4 |
| Nipple size | R1/8 |



China 6206 Bearing Supplier